

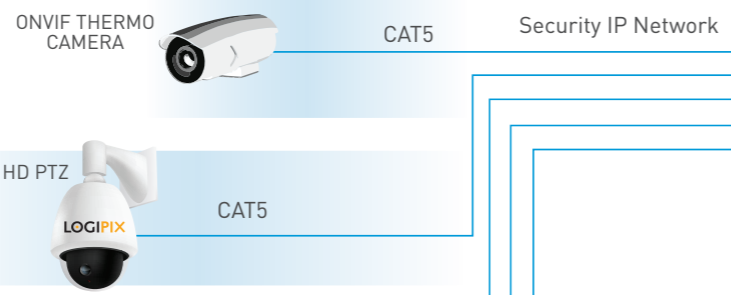
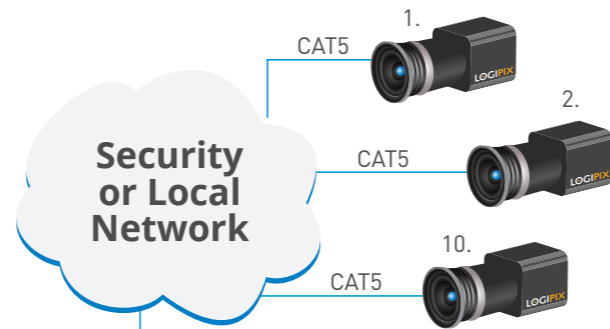


MULTI-MEGAPIXEL VIDEO SURVEILLANCE SYSTEM

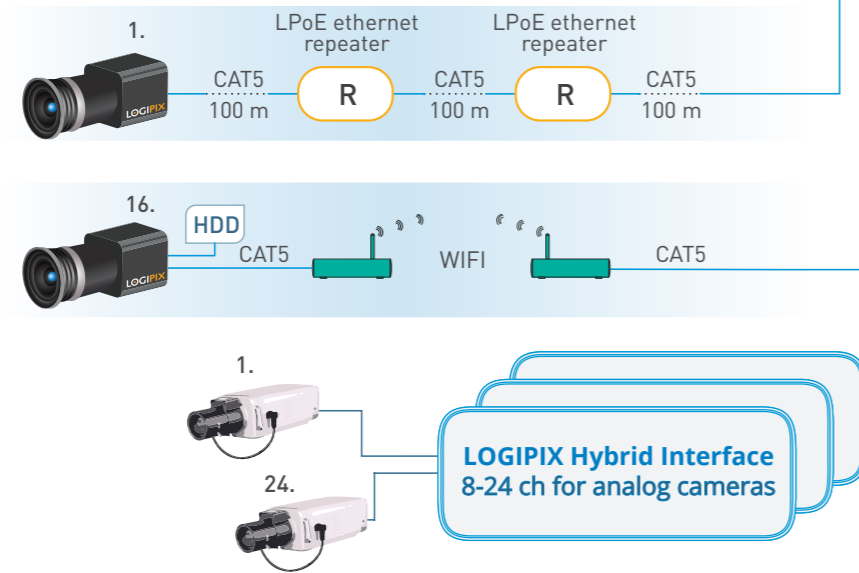
UNDER THE HOOD



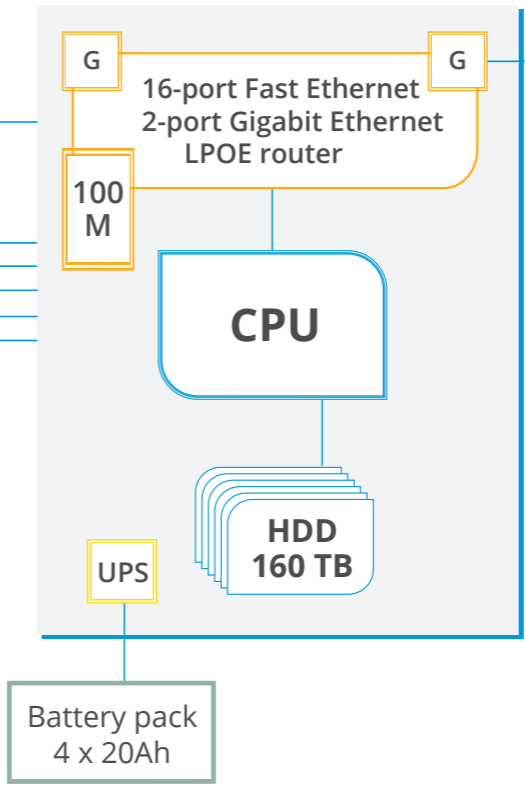
LOGIPIX CAMERAS



CAMERAS



LOGIPIX NETWORK VIDEO RECORDER



LOGIPIX CONTROL CENTER

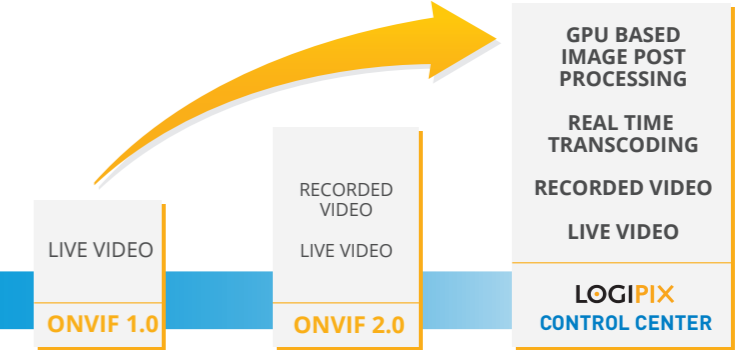


VMS ONVIF 1.0



VMS ONVIF 2.0

FEATURES





Contemporary Video Surveillance

- **Large scale of camera resolutions** - 2MP-200MP
- **Support multiple image formats** - H.264 and JPEG2000 compression standards
- **Full scalability** - Flexible system structure
- **An open system** - ONVIF compliant
- **Designed for long term** - 10-year life-cycle for every instruments
- **Full legal compliance** - adjustable to local laws

VIDEO SYSTEM FEATURES

Logipix Cameras

- Entry level 2 MP camera series
- 5MP camera family, when full HD is not enough
- 15MP camera family to monitor larger areas
- Logipix ONE, the high-end 14/20 MP camera with 1" sensor
- 200MP Panorama Camera
- PTZ cameras with full HD resolution
- Auto Back Focus module
- Local storage

High Performance NVR

- 16/32 LOGIPIX cameras
- Built-in high capacity redundant storage, 160 Tbyte, 1600 Mbit/sec
- Built-in high performance managed UPS/1kWh
- Built-in managed LPoE router supplies the camera over Ethernet cable
- Managed VLAN, cameras are isolated from the company network
- Industrial design and 24/7 operation

Video Management Software - Control Center

- Client/server architecture
- Intuitive, user-friendly interface
- Fully compatible with ONVIF standards
- Stitched panoramic images, with up to 1 Gigapixel displayed on a single screen
- Logi-Zoom ensures cost effective bandwidth management
- Touchscreen gesture control for PTZ
- Quick incident review
- Efficient and versatile archive playback

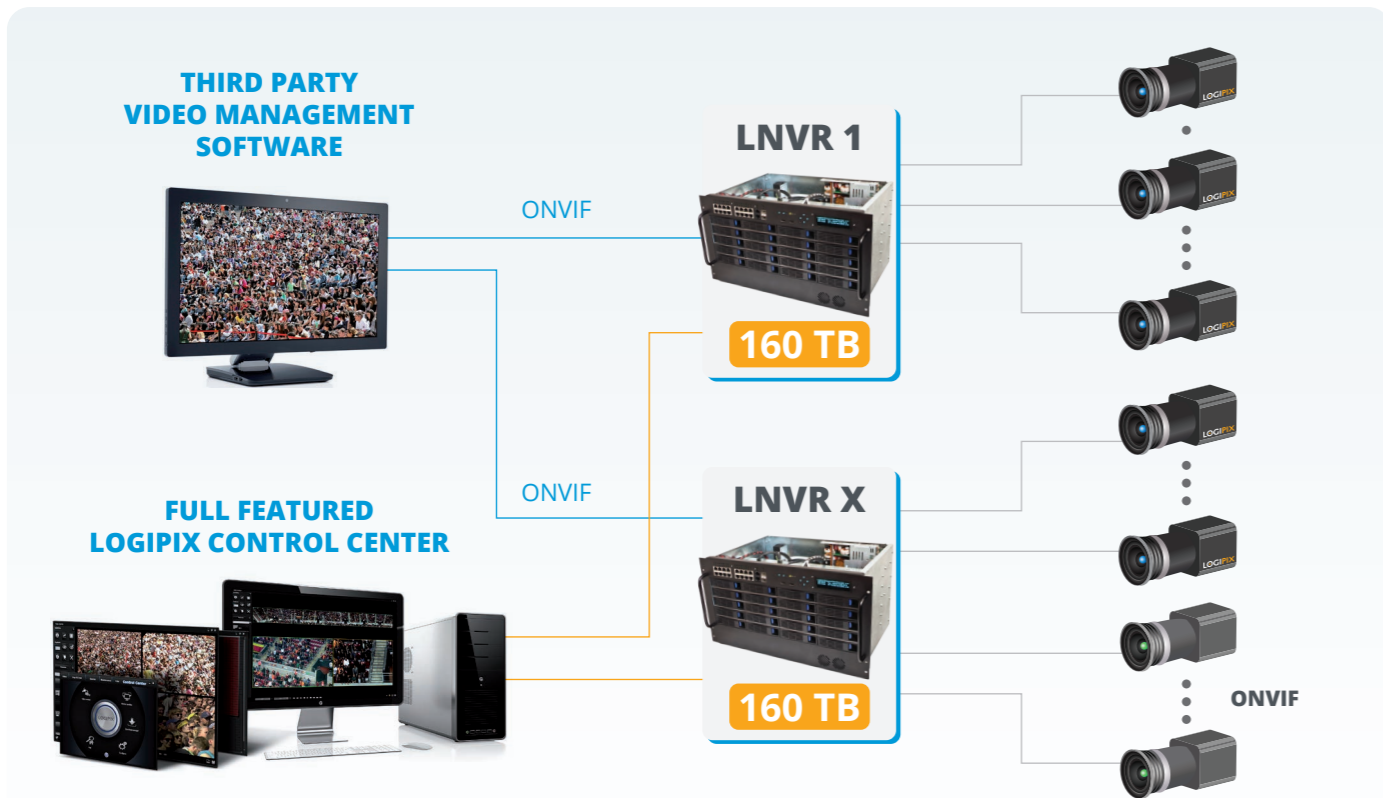


ONVIF

- Any third-party ONVIF-S camera can be connected to the LOGIPIX NVR
- LOGIPIX NVR could provide ONVIF-S video streams for third-party VMS
- LOGIPIX NVR is using ONVIF-G 2.0 standard to provide archive images for third-party VMS

JPEG2000 compression for Multi-megapixel cameras

- Developed for high resolution images
- Provides high quality images whilst keeping the file size small
- Flexible bandwidth management
- Wavelet based image compression



Stitched Panoramic Image

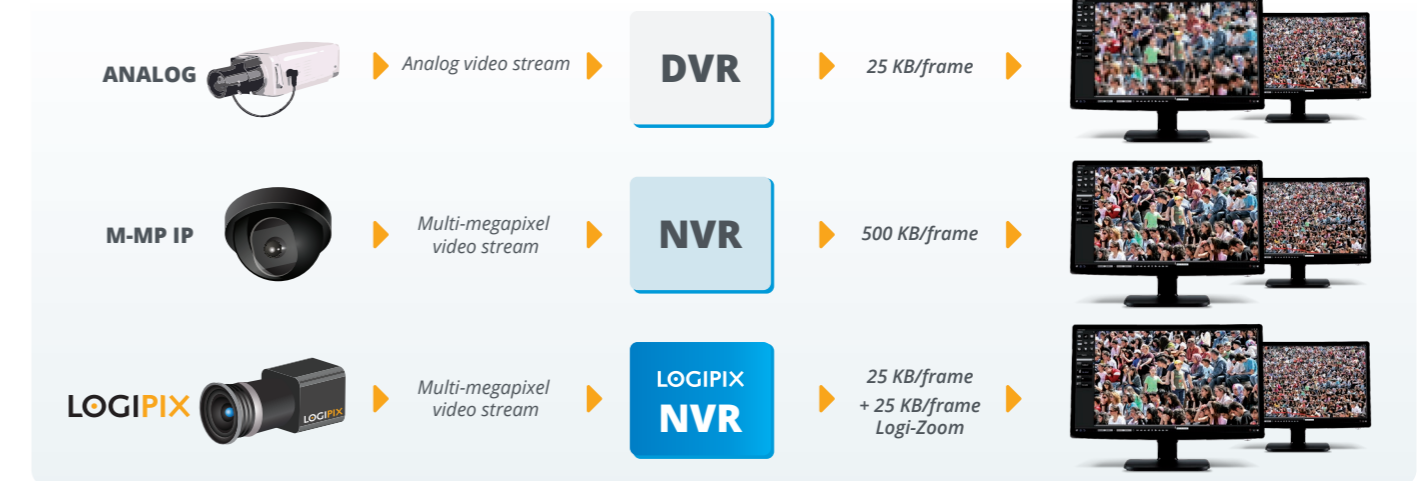
- Uniquely developed software function to stitch the individual camera pictures
- Real-time stitching
- Neither blind nor redundant areas
- All critical areas are monitored
- Movements can be tracked seamlessly
- View several high-resolution zoomed areas on a single panoramic image



Intelligent Picture Transmission with Logi-Zoom

Logi-Zoom is a unique recorder driven zoom function that delivers high quality images over even a low bandwidth network. It is an extremely cost effective function as it only sends the currently required picture area in

high resolution, with the rest of the image being sent in a lower, screen optimized resolution.





LOGIPIX ONE

- 1" size sensor for extra sensitivity and wide dynamic range
- 14/20 MP resolution to get minute details
- 20 FPS at full resolution
- Wavelet based JPEG2000 compression standard
- LPoE power over Ethernet
- Auto Back focus module
- Local storage and built-in NVR function
- Triple optical filters: Day mode/Night mode/Visibility enhancement mode



LOGIPIX Panoramic Cameras

- Up to ten integrated 20 MP LOGIPIX ONE
- Available in different models: 180° / 60° / 40° FOV
- Synchronized pictures
- No duplicated or hidden objects on the image
- Multi-Zoom function



LOGIPIX 15 MP cameras

- 1/2" size sensor for general purposes
- 15 MP resolution to cover large areas
- 5 FPS at full resolution
- Wavelet based JPEG2000 compression standard
- LPoE power over Ethernet
- Optional Auto Back Focus module
- Optional dome camera design with IP 65 metal housing
- Optional local storage and built-in NVR function



LOGIPIX Full HD PTZ Cameras

- Unique image processor developed by our engineers
- Full HD resolution
- H.264 and JPEG2000 compression standards
- Long range varifocal lenses for up to 30x optical zoom
- Touchscreen gesture control
- Highly accurate and incredibly fast positioning system
- Face recognition up to 300 meters



LOGIPIX Full HD Cameras

- Entry level camera series
- H.264 compression standard
- Transmission over low bandwidth networks
- Available in different models: box, dome and bullet



LOGIPIX Network Video Recorder - The LNVR

- Box or rack mounted design
- Intelligent picture transmission
- Manage up to 32 high-resolution 15MP cameras
- Up to 160Tbyte storage capacity
- 1600 Mbit/sec recording speed
- VRM™ fail-safe file system
- Built-in managed 16+2 port LPoE router
- OLED screen for displaying LNVR status information



LOGIPIX 5 MP Cameras

- Recommended for monitoring medium to large areas
- H.264 compression standard
- Transmission over low bandwidth networks
- Available in different models: box, bullet



LOGIPIX Hybrid Extension

- Seamless integration of analog cameras into the LOGIPIX system
- Connect up to 24 analog cameras
- Up to 128 analog cameras connected to a single NVR
- JPEG2000 compression standard
- Box or rack mounted design
- Storage on the LNVR



CONTACT US

H-1158 Budapest, Késmárk u. 11-13.

+36 20 480 5933 +36 1 410 0556

sales@logipix.com

support@logipix.com

www.logipix.com